

ATKOMATIC

1000 Series

Stainless Steel, Direct Lift to 5000 psig (345 bar)
Medium Pressure Valve Configurable for Variety of Fluid Applications



Features

- | | |
|--|--|
| • Direct acting valve | • Optional seat materials of PTFE, PCTFE, Buna N, Viton®, EPR, or 316 stainless steel depending on fluid type and pressure |
| • Pressure to 5000 psig (345 bar) depending on fluid and orifice size | • Body seal materials of PTFE, Viton®, Buna N, or EPR. |
| • Barstock body construction | • Flow orifice sizes of 1/16", 3/32", 1/8", and 3/16" |
| • Compact size | • Pipe sizes of 1/8" and 1/4" NPT |
| • Stainless steel construction on all wetted parts: 316 for pressure containing parts and plunger material is 416 stainless that is treated for increased corrosion resistance | • British BSPT ports available |
| • Will handle fluids with viscosity up to 200 SUS | • Cv from 0.093 to 0.72 |
| • Fluid temperatures from -423° F to +500° F (-253° C to +260° C) | • Class H coil is standard |
| • Suitable for use with wide variety of fluid including: air, gasses, liquids, hydraulic fluids, steam, cryogenic fluids, and corrosive fluids | • Can use a class H double wound coil (requires use with a relay to drop put primary coil winding after valve actuation) depending on pressure |
| | • Coil housing is NEMA 1 |

Circle Seal Controls

2301 Wardlow Circle • P.O. Box 3300 • Corona, CA 92880

Phone (951) 270-6200 Fax (951) 270-6201

www.circlesealcontrols.com • am_sales@circlesealcontrols.com • ind_sales@circlesealcontrols.com

atkomatic solenoid

1000 Series

Operational pressures (No minimum pressure differential)

Single Wound Coils—Series 1000–1100 Metal Seats

ORIFICE SIZE	GASES		LIQUIDS TO 40 SUS		LIQUIDS OVER 40 SUS		STEAM	
	AC	DC	AC	DC	AC	DC	AC	DC
1/16	2500	1500	1,800	1000	1500	500	300	300
3/32	1000	500	800	350	500	170	300	300
1/8	500	200	400	125	250	50	300	125
3/16	175	55	125	35	125	15	125	35

Single Wound Coils—Series 1002–1102 Soft Seats (Buna N, Viton®, EPR, PTFE, and PCTFE)

ORIFICE SIZE	GASES		LIQUIDS TO 40 SUS		LIQUIDS OVER 40 SUS		STEAM	
	AC	DC	AC	DC	AC	DC	AC	DC
1/16	2500	1,275	1500	765	1500	500	300	300
3/32	1000	425	675	300	425	150	300	300
1/8	425	170	350	100	200	40	300	100
3/16	150	40	100	30	100	12	110	30

Double Wound Coils—Series 1004–1104 Metal Seats

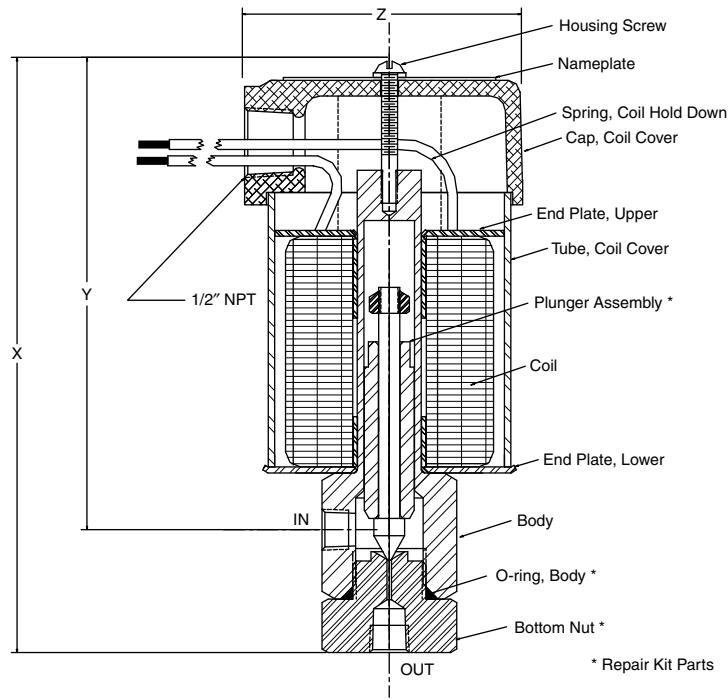
ORIFICE SIZE	GASES		LIQUIDS TO 40 SUS		LIQUIDS OVER 40 SUS		STEAM	
	AC	DC	AC	DC	AC	DC	AC	DC
1/16	5000	5000	5000	3500	5000	2500	300	300
3/32	3500	2000	3000	1500	3000	1000	300	300
1/8	2000	800	1500	600	1,200	500	300	300

Double Wound Coils—Series 1009–1109 Soft Seats (Buna N, Viton®, EPR, PTFE, and PCTFE)

ORIFICE SIZE	GASES		LIQUIDS TO 40 SUS		LIQUIDS OVER 40 SUS		STEAM	
	AC	DC	AC	DC	AC	DC	AC	DC
1/16	5000	4000	4500	3000	4,250	2,100	300	300
3/32	3500	2000	3000	1500	3000	1000	300	300
1/8	2000	800	1500	600	1,200	500	300	300

Note: Buna N, Viton® and EPR seats are limited to 500 psi (34.5 bar)

Dimensions and Shipping Weights



1002 1/8" valve, shown with NEMA 1 coil housing and metal seat

CATALOG NUM. PREFIX				PIPE SIZE	X	Y	Z	SHIPPING WEIGHT (lbs)
SINGLE WOUND COIL, METAL SEAT	SINGLE WOUND COIL, SOFT SEAT	DOUBLE WOUND COIL, METAL SEAT	DOUBLE WOUND COIL, SOFT SEAT					
1000	1002	1004	1009	1/8"	5 3/4"	4 5/8"	2 3/4"	5
1100	1102	1104	1109	1/4"	5 3/4"	4 5/8"	2 3/4"	5

Cv Flow Factors

ORIFICE SIZE	Cv
1/16	0.093
3/32	0.22
1/8	0.44
3/16	0.72

1000 Series

How to Order

